



PACIFIC CUSTOM PRECAST

Premium Cast Stone Fireplace Mantles and Products





Premium Cast Stone Fireplace Mantles and other Products





A fireplace serves as the centerpiece of a room, both visually and socially, with family and guests gravitating to the soothing, flickering backdrop. A concrete fireplace surround can be custom molded and sized to fit any space, from an expansive great room to a cramped bedroom. What's more, like stone and masonry, concrete combines the ideal qualities of fire resistance and heat retention.

Combining the qualities of fire resistance, heat retention, and moldability, concrete is fast becoming a popular material for fireplace surrounds, mantels, and hearths. Artisans can replicate virtually any look, ranging from ornate to contemporary. Additionally, we use Precast concrete to produce other products such as columns, balustrades, window and door trim, pool coping and wall caps. Few materials can compete with concrete when it comes to versatility. It can be molded into any shape, integrally colored or stained to match nearly any hue, and exhibit textures ranging from rough to highly polished and because GFRC Precast concrete is lighter in weight than solid concrete, installation where weight would be an issue is possible, such as entryways and windows, Precast concrete is a perfect solution offering various styles and durability that beats stucco.

Our Quality Guarantee

From start to finish Pacific Custom Precast will help you bring your projects vision to reality. At Pacific Custom Precast, the people who will meet with you for an in depth consultation are the same people who will manufacture and install your product. We will actively listen to what your vision is and what you expect from the project. We will also give input as to what to expect at different stages of the process and offer helpful ideas that will give you peace of mind during the process.

We have a passion for what we do and we believe we can help fulfill the dreams of our clients by collaborating with them to create the special ambiance in their homes and exterior projects that they desire by providing superior products and services.

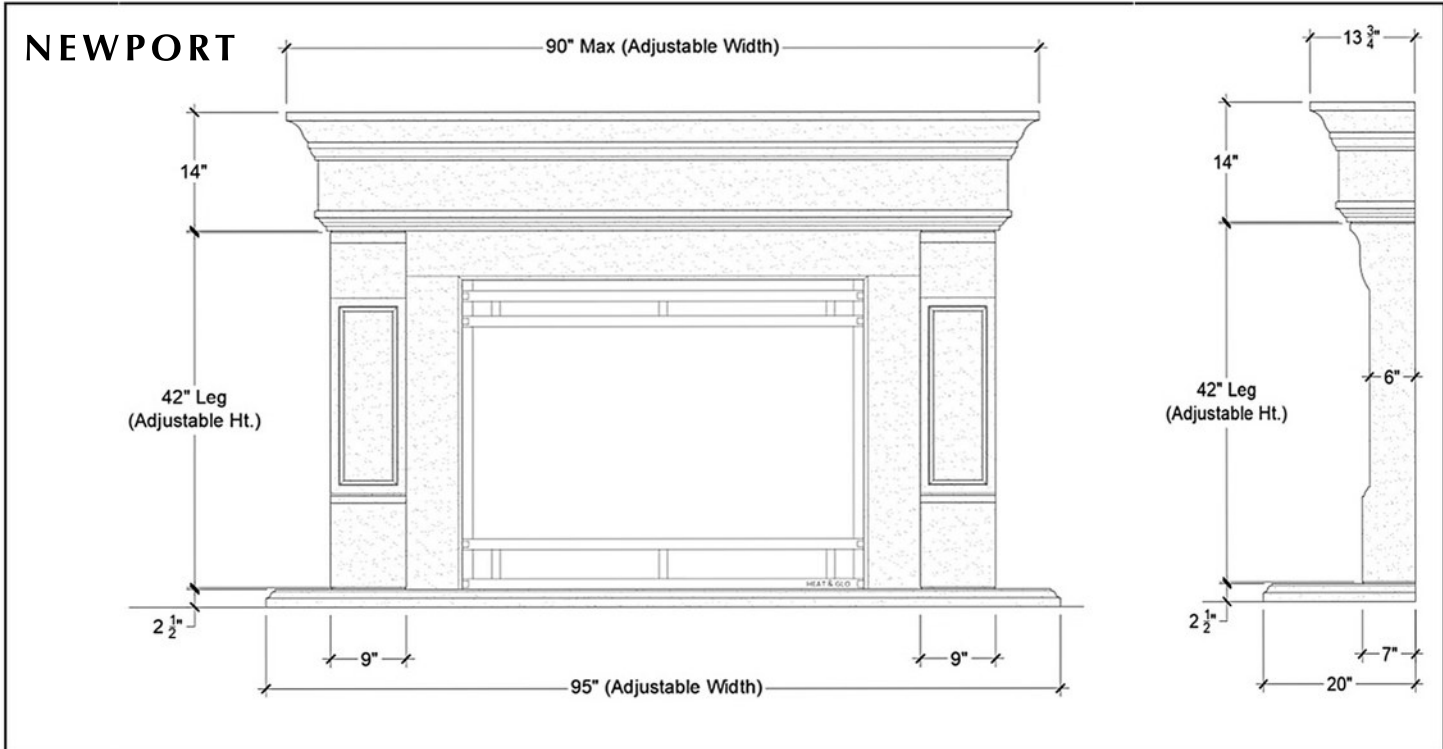
We are anxious to serve you so please contact us with any questions or inquires. Also please call to arrange a visit to our showroom where you see and touch the products before you buy.

We offer exquisitely hand-crafted Cast Stone Fireplace Mantels in a variety of finishes and colors with elegant facing, hearth, and over-mantel options. Cast Stone Fireplace Mantels are fire resistant and allow for zero clearance from combustible material, making them the perfect choice for gas, wood burning or exterior fireplaces. The aesthetics of a Cast Stone Fireplace Mantel are unbeatable and maintenance is easy. Get started with samples and free design consultation with our veteran mantel experts.

We specialize in Cast Stone Fireplace Surrounds but we also manufacture a myriad of Precast products including raised hearths, columns, wall caps, kitchen hoods and window and door trim. We also offer Custom fabrication and quick turnaround in production and installation.



CONTEMPO

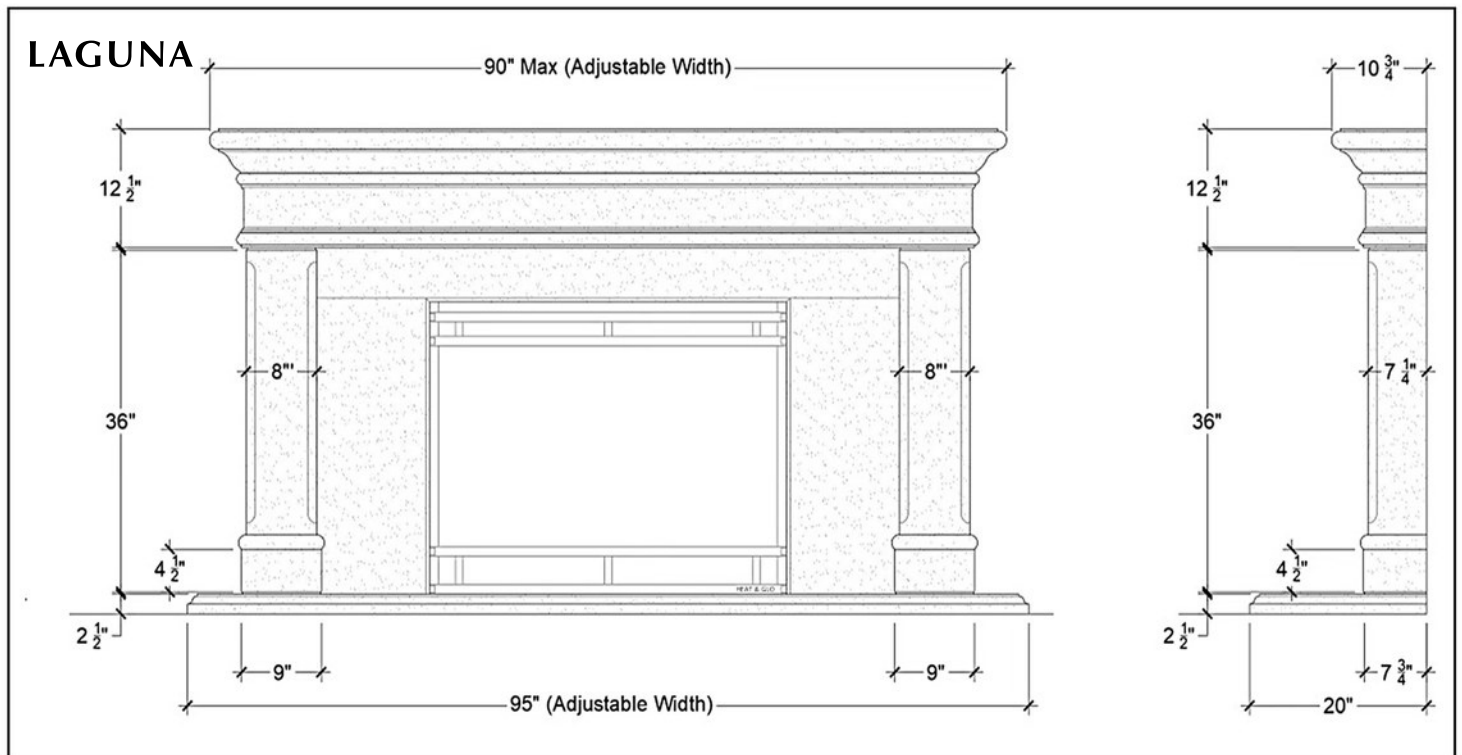


Visit our Showroom

1385 N. Manzanita Street
Orange, CA
(714) 876-8382

FM - 200
MANTEL COLLECTION

This document contains proprietary and confidential information. Any disclosure and use of this information, or any reproduction of this document for other than Pacific Custom Precast, LLC, customer's, sub-contractor's or agents for which it is submitted, is expressly prohibited without prior written consent.



Visit our Showroom

1385 N. Manzanita Street
Orange, CA.
(714) 876-8382

FM - 201
MANTEL COLLECTION

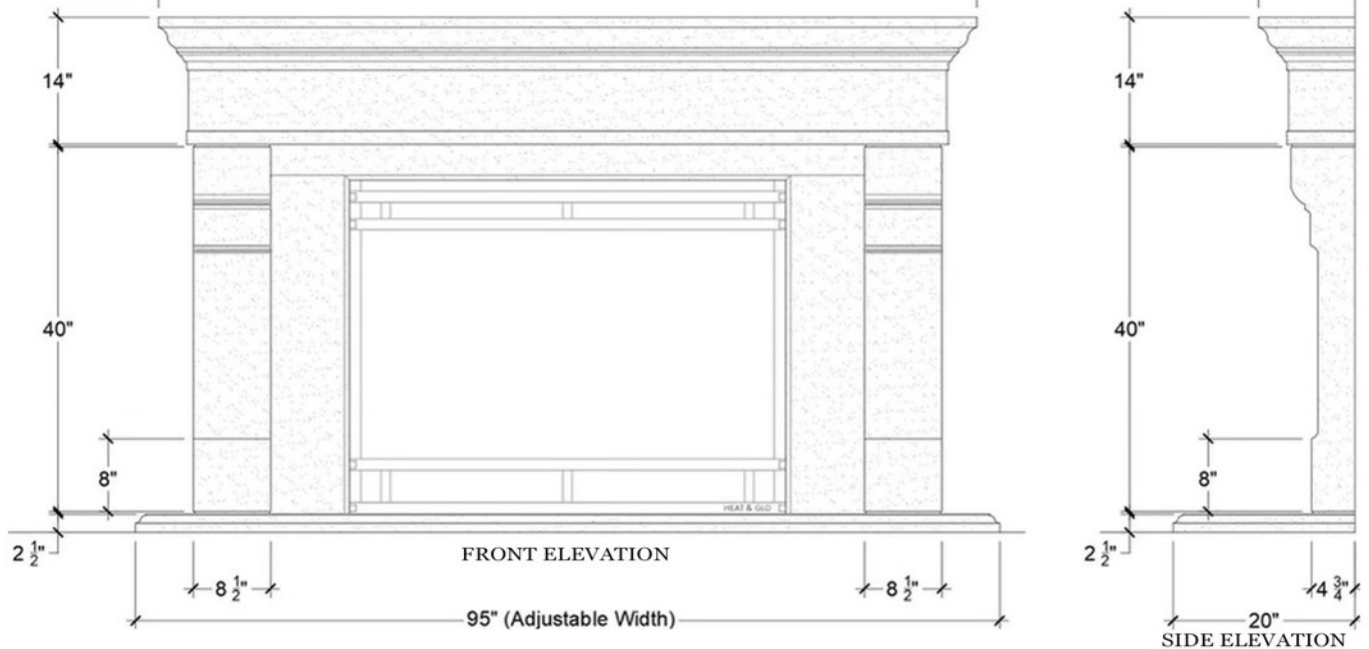
This document contains proprietary and confidential information. Any disclosure and use of this information, or any reproduction of this document for other than Pacific Custom Precast, LLC, customer's, sub-contractor's or agents for which it is submitted, is expressly prohibited without prior written consent.



PROVENCE

90" Max (Adjustable Width)

10"



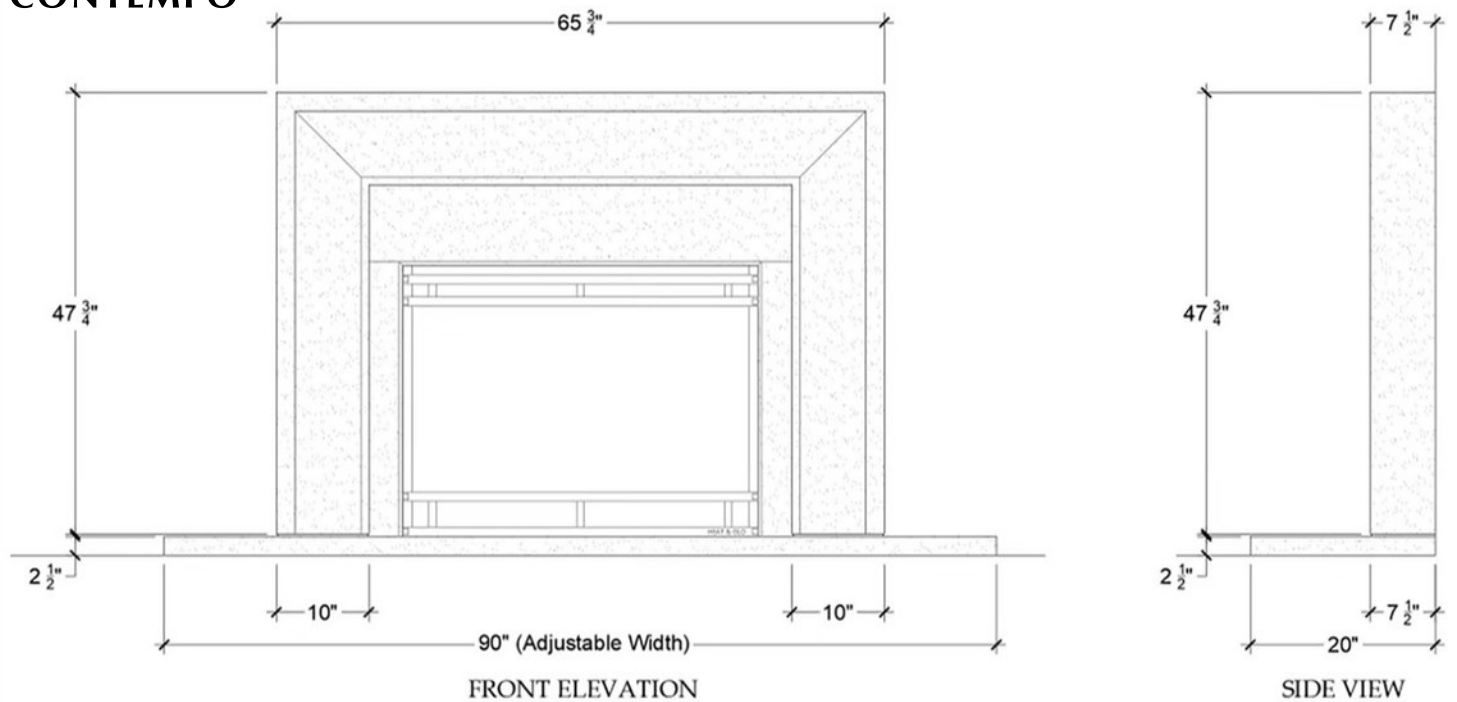
Visit our Showroom
(714)876-8382

FM - 202
MANTEL COLLECTION

This document contains proprietary and confidential information. Any disclosure and use of this information, or any reproduction of this document for other than Pacific Custom Precast, LLC, customer's, sub-contractor's or agents for which it is submitted, is expressly prohibited without prior written consent.



CONTEMPO



Visit our Showroom

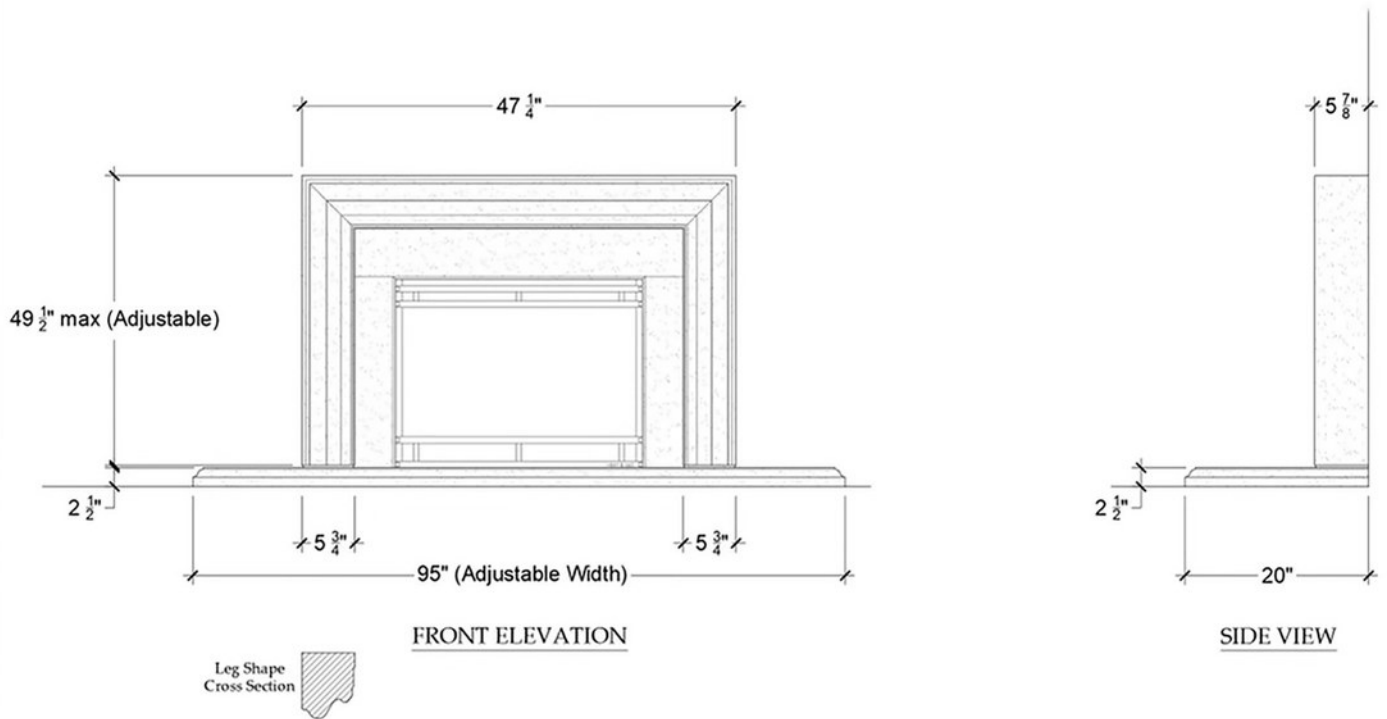
1385 N. Manzanita Street
Orange, CA
(714) 876-8382

FM -203
MANTEL COLLECTION

This document contains proprietary and confidential information. Any disclosure and use of this information, or any reproduction of this document for other than Pacific Custom Precast, LLC. customer's, sub-contractor's or agents for which it is submitted, is expressly prohibited without prior written consent.



LAKEHILL



Visit our Showroom

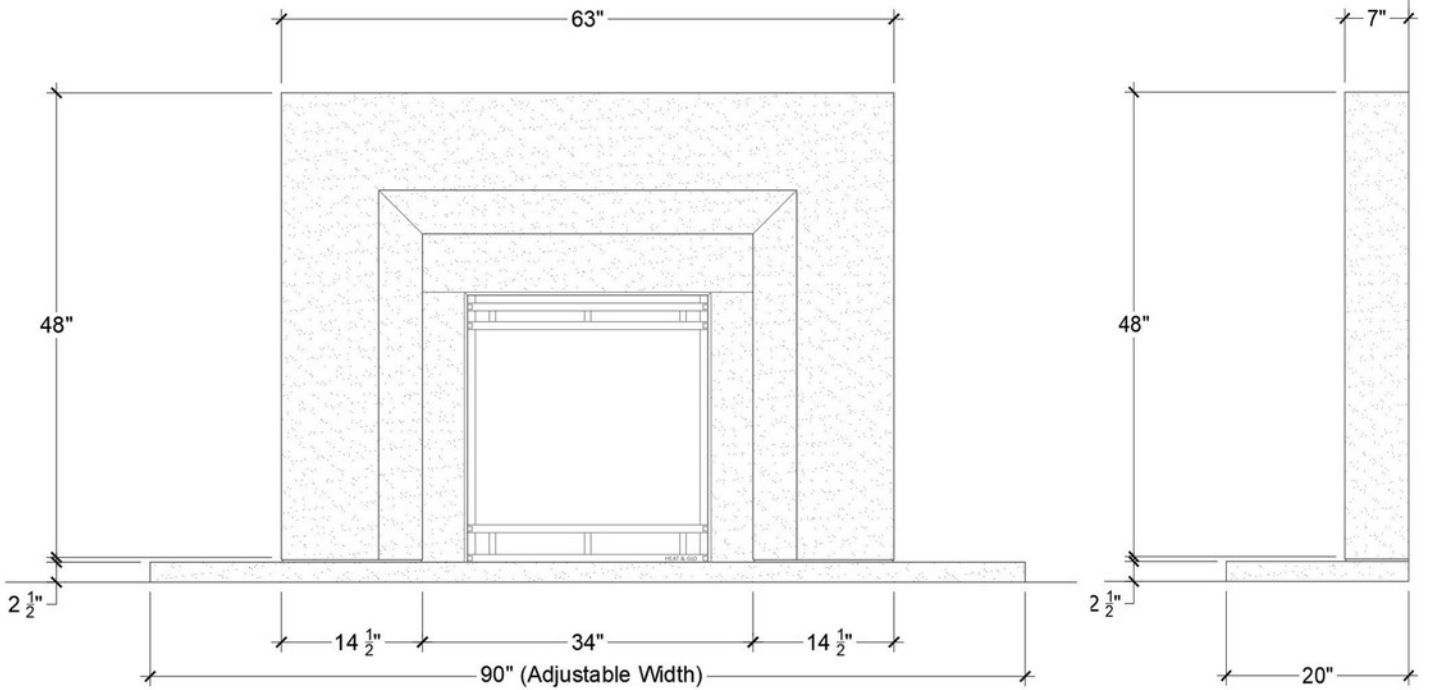
1385 N. Manzanita Street
 Orange, CA.
 (714) 876-8382

FM -204
 MANTEL COLLECTION

This document contains proprietary and confidential information. Any disclosure and use of this information, or any reproduction of this document for other than Pacific Custom Precast, LLC. customer's, sub-contractor's or agents for which it is submitted, is expressly prohibited without prior written consent.



MODERNA



Visit our Showroom

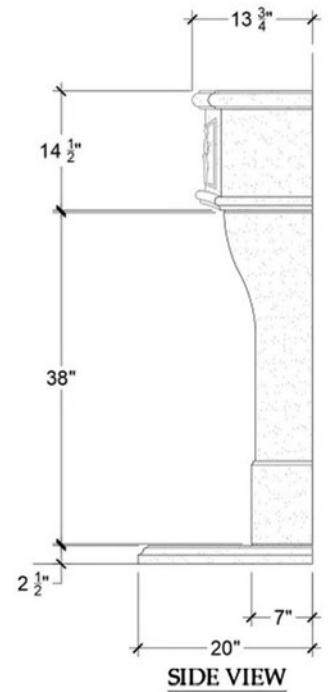
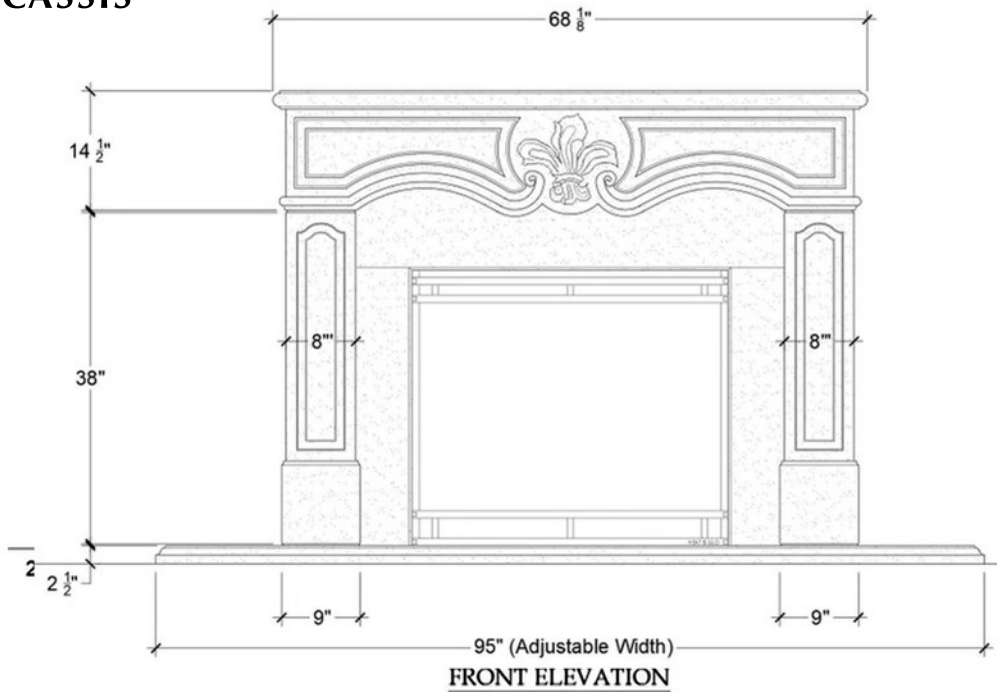
1385 N. Manzanita Street
Orange, CA.
(714) 876-8382

MANTEL COLLECTION

This document contains proprietary and confidential information. Any disclosure and use of this information, or any reproduction of this document for other than Pacific Custom Precast, LLC, customer's, sub-contractor's or agents for which it is submitted, is expressly prohibited without prior written consent.



CASSIS

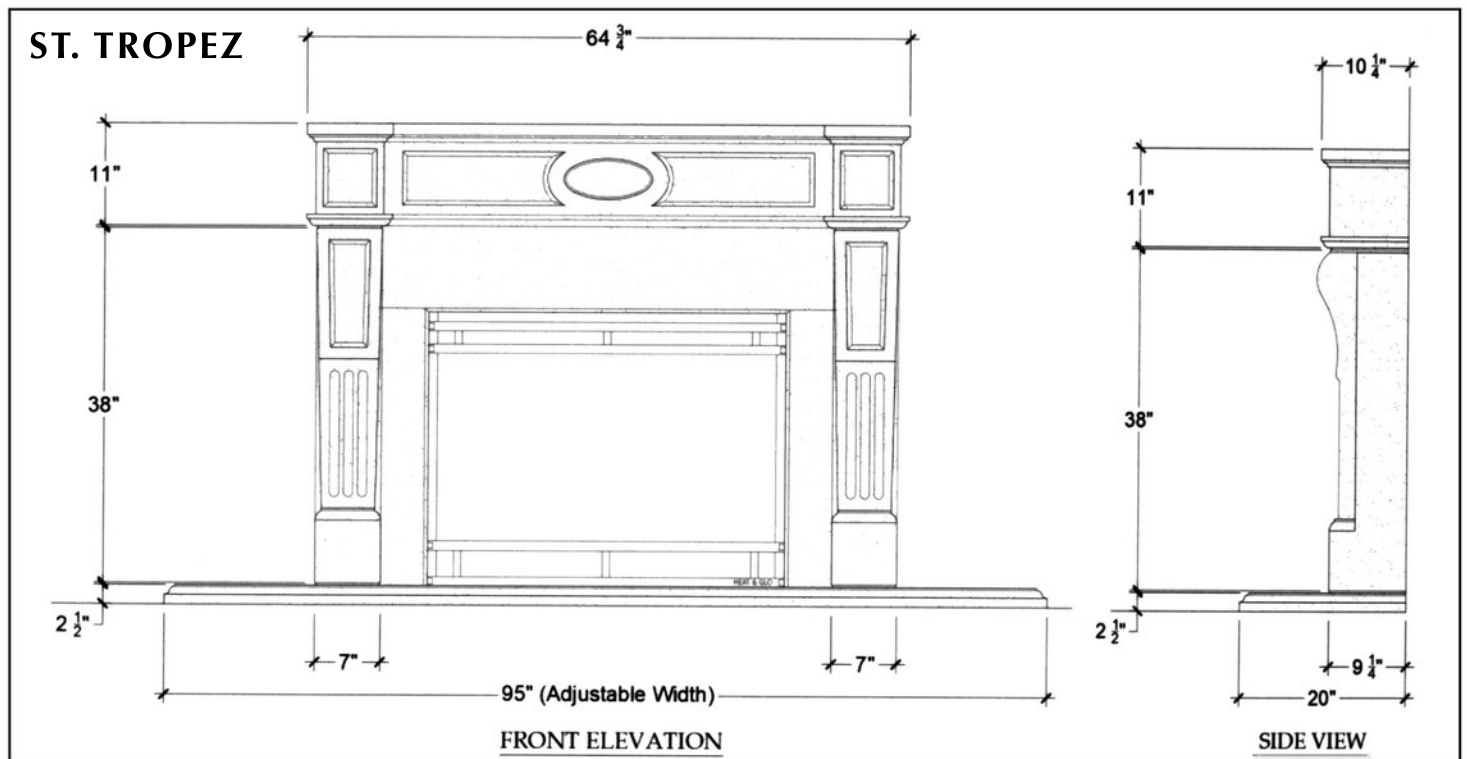


Visit our Showroom

1385 N. Manzanita Street
Orange, CA.
(714) 876-8382

FM - 206
MANTEL COLLECTION

This document contains proprietary and confidential information. Any disclosure and use of this information, or any reproduction of this document for other than Pacific Custom Precast, LLC. customer's, sub-contractor's or agents for which it is submitted, is expressly prohibited without prior written consent.



Visit our Showroom

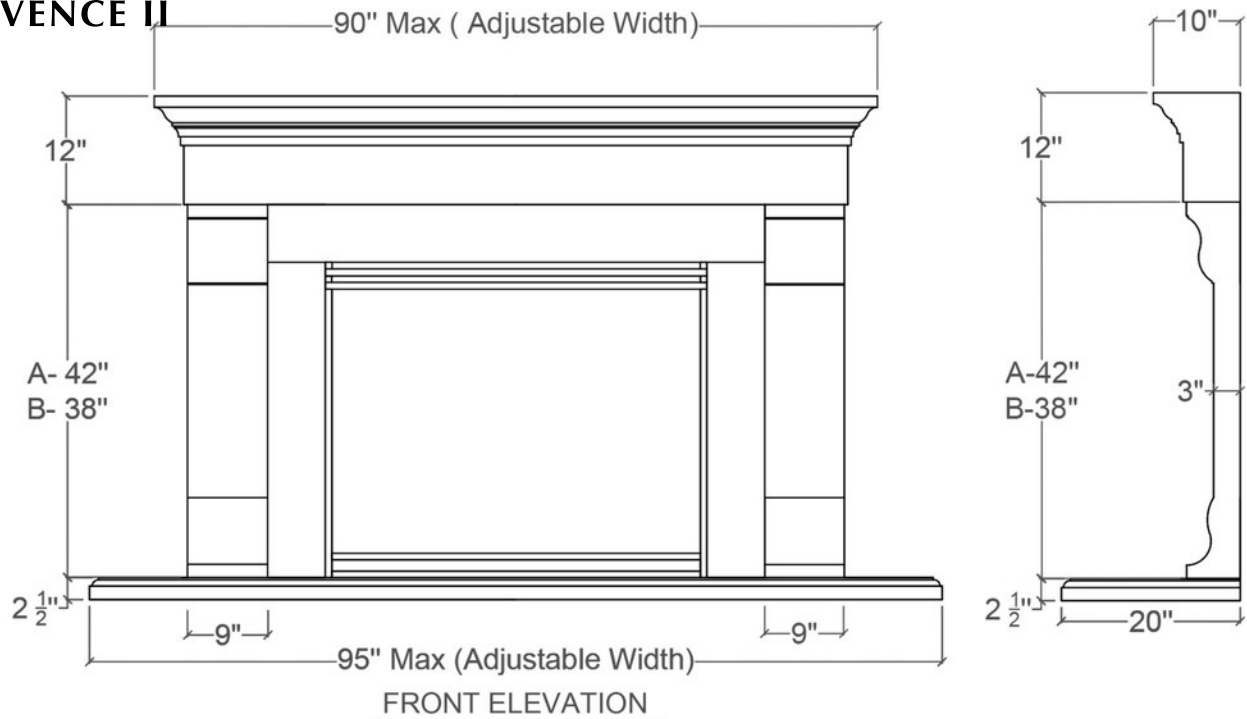
1385 N. Manzanita Street
Orange, CA.
(714) 876-8382

FM - 207
MANTEL COLLECTION

This document contains proprietary and confidential information. Any disclosure and use of this information, or any reproduction of this document for other than Pacific Custom Precast, LLC, customer's, sub-contractor's or agents for which it is submitted, is expressly prohibited without prior written consent.



PROVENCE II



Visit our Showroom

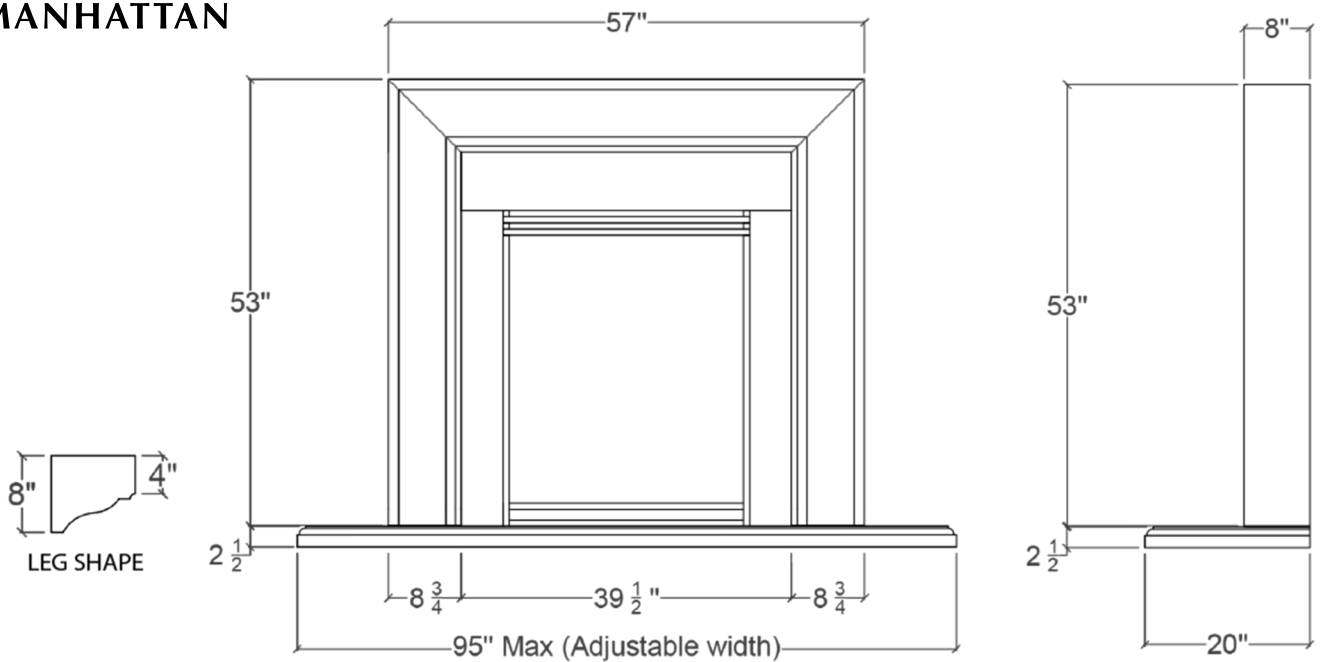
1385 N. Manzanita Street
Orange, CA
(714) 876-8382

FM - 208
MANTEL COLLECTION

This document contains proprietary and confidential information. Any disclosure and use of this information, or any reproduction of this document for other than Pacific Custom Precast, LLC. customer's, sub-contractor's or agents for which it is submitted, is expressly prohibited without prior written consent.



MANHATTAN



Visit our Showroom

1385 N. Manzanita Street
Orange, CA
(714) 876-8382

FM -209
MANTEL COLLECTION

This document contains proprietary and confidential information. Any disclosure and use of this information, or any reproduction of this document for other than Pacific Custom Precast, LLC, customer's, sub-contractor's or agents for which it is submitted, is expressly prohibited without prior written consent.

CUSTOM

With the exception of the surround on this page, the following images are of pieces we had produced before the recession in 2008 but lost the Molds when our previous company shut down. These mantels would incur an additional mold charge should the client choose one of these. Columns, exterior window, door trim, ballustrades and coping, are always, by design, custom according to the clients specifications and would usually incur an additional mold charge.

Additionally, if you have a picture, drawing or design you want, we can custom create it for you. There will a custom mold charge of between \$1000 and \$1500 depending on the complexity of the piece and very complex and large could be more. This charge is in addition to the base price of the surround. We will, of course collaborate with you and let you know the exact price to bring your vision to reality.



Custom Mantle and three piece custom hearth

















BEFORE



AFTER











4055

RESIDE
FOU











PACIFIC CUSTOM PRECAST





PACIFIC CUSTOM PRECAST



SIERRA

Color: White Sand